

Let's get started

Owner's guide

 Ice Barrel. Chiller


Thank you

Welcome to your Chiller

From its inception, Ice Barrel has been dedicated to transforming cold therapy into a widely accessible wellness solution for our growing community.

The Ice Barrel Chiller represents a significant leap forward in fulfilling our mission. Every component has been meticulously engineered—from the intuitive software to the robust architecture—to redefine standards of performance, durability, and connectivity. We view the Chiller not just as a product, but as an essential part of your wellness regimen, actively enhancing your quality of life with every use.

thank you,
Wyatt Ensign
ceo.

 Ice Barrel.

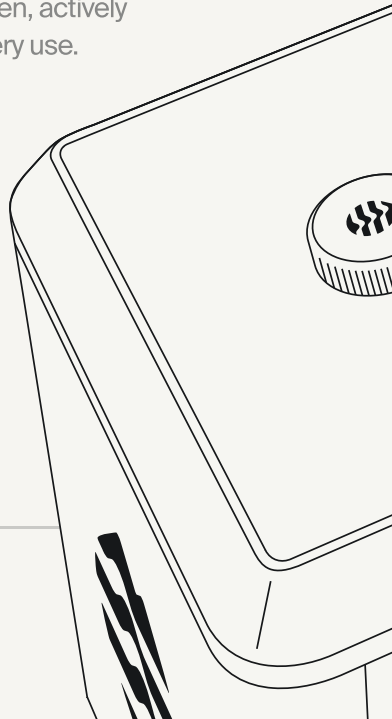


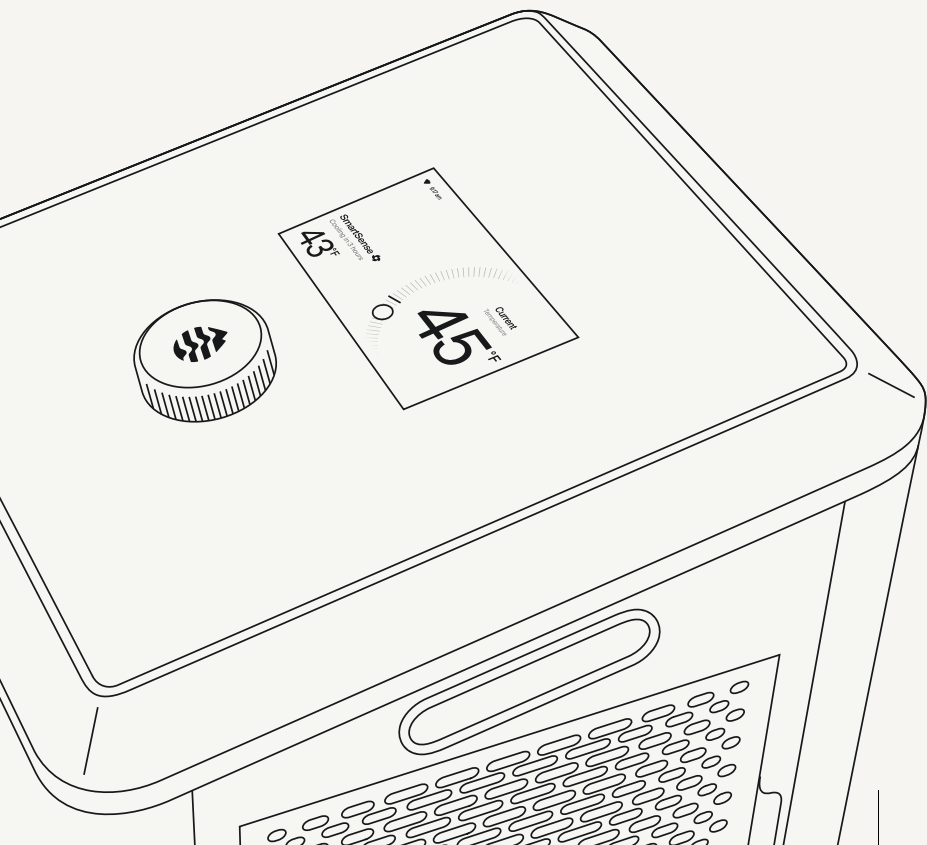
Table of contents

Download app

Assembly

Meet your Chiller

Additional information



Download app

Control from anywhere

**Unlock full Chiller functionality—download
the app to get started**

Ensure you grant the app the permissions
requested for optimal functionality, such as location
for SmartSense-related features and camera
access for QR code scanning.

Scan or go to
app.icebarrel.com



Advanced scheduling

Use advanced scheduling to ensure your Chiller is ready when you are and conserves energy until your next session.

Multi-user support

Allowing multiple individuals to manage and monitor the Chiller settings seamlessly from their devices.

Smart notifications

Simplifying regular maintenance with timely alerts.



Assembly

Assembly parts

Before you begin

01. Please be cautious not to over tighten any of the fittings, as excessive force may lead to damage.
02. Use the provided thread tape when installing all fittings to ensure a leak-free experience.
03. The Chiller must always be operated with the pre-filter installed on the Ice Barrel.

Drain Hose Adapter



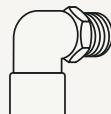
Quick Connect Shut Off Valves



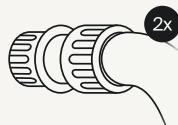
Elbow Extender



Elbow



Quick Connect Hoses



Water Filter



Wrenches



Thread Tape



Pre-Filter

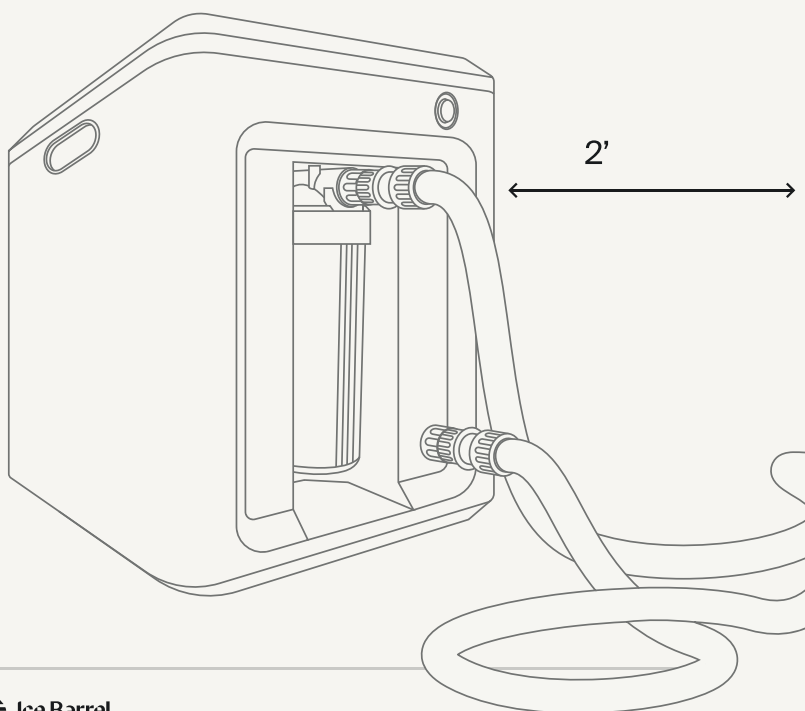


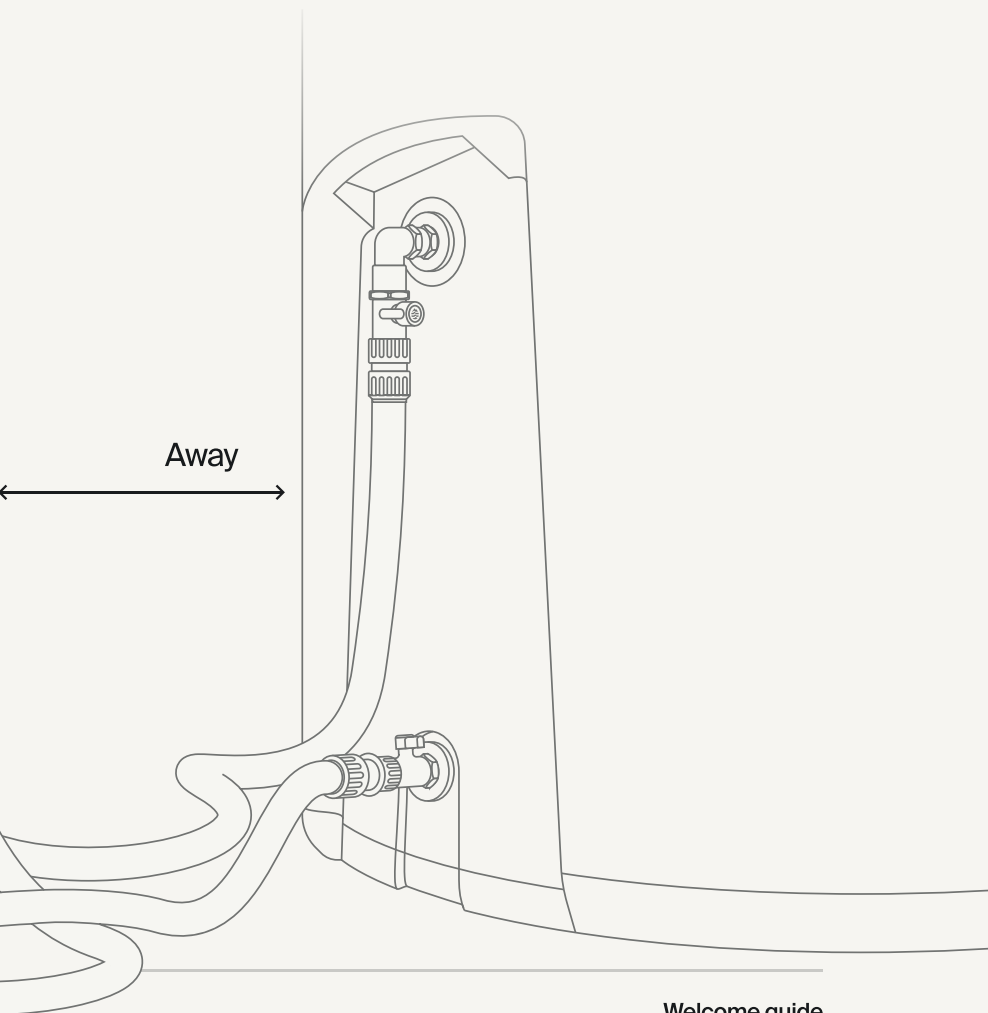
Assembly

Chiller placement

Place the Chiller on level ground, at least 2 feet from walls or obstructions, to ensure proper airflow and prevent overheating.

Ensure your Chiller is within good range of your Wi-Fi network to maintain a constant connection, allowing full access to all features.

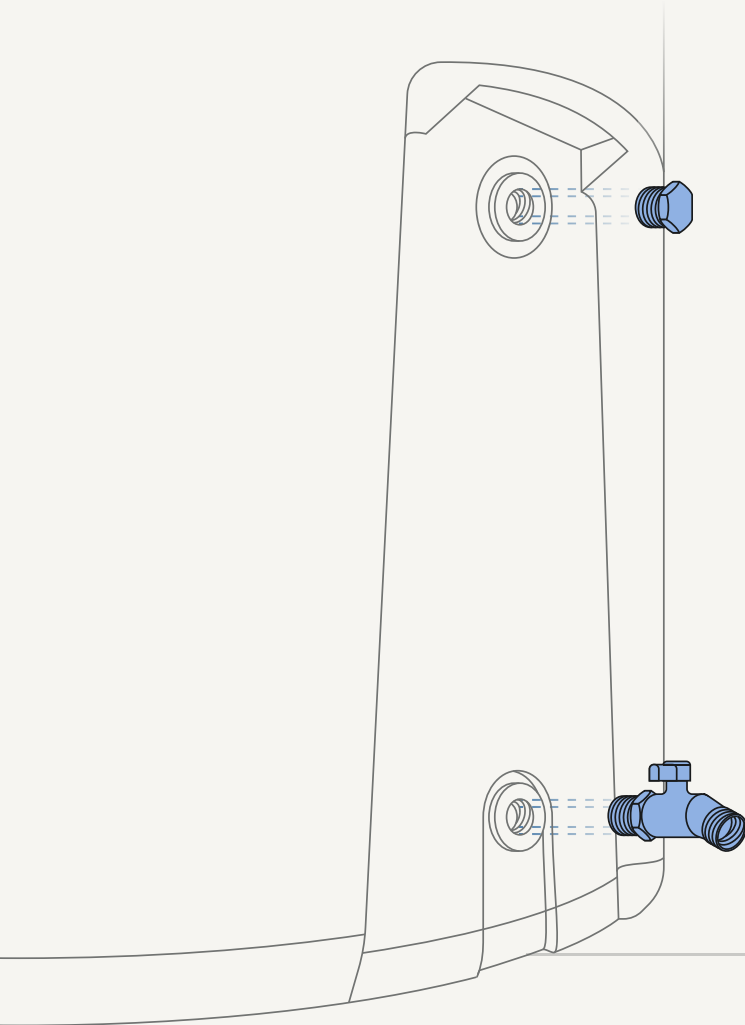




Away

Assembly

Ice Barrel preparation



1/3

Drain your Ice Barrel

It is important to remove the water from your Ice Barrel before the Chiller is connected.

2/3

For Ice Barrel 300 and 500

Locate the bulkhead on the side of the Ice Barrel, remove the top bulkhead plug, and the bottom water shut-off valve, ensuring that the bulkhead fittings stay tight.

3/3

For Ice Barrel 400

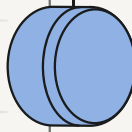
Install the Conversion Kit following the provided instructions before attaching the Chiller accessories (Conversion Kit sold separately).

Assembly

Prepare quick connect fittings



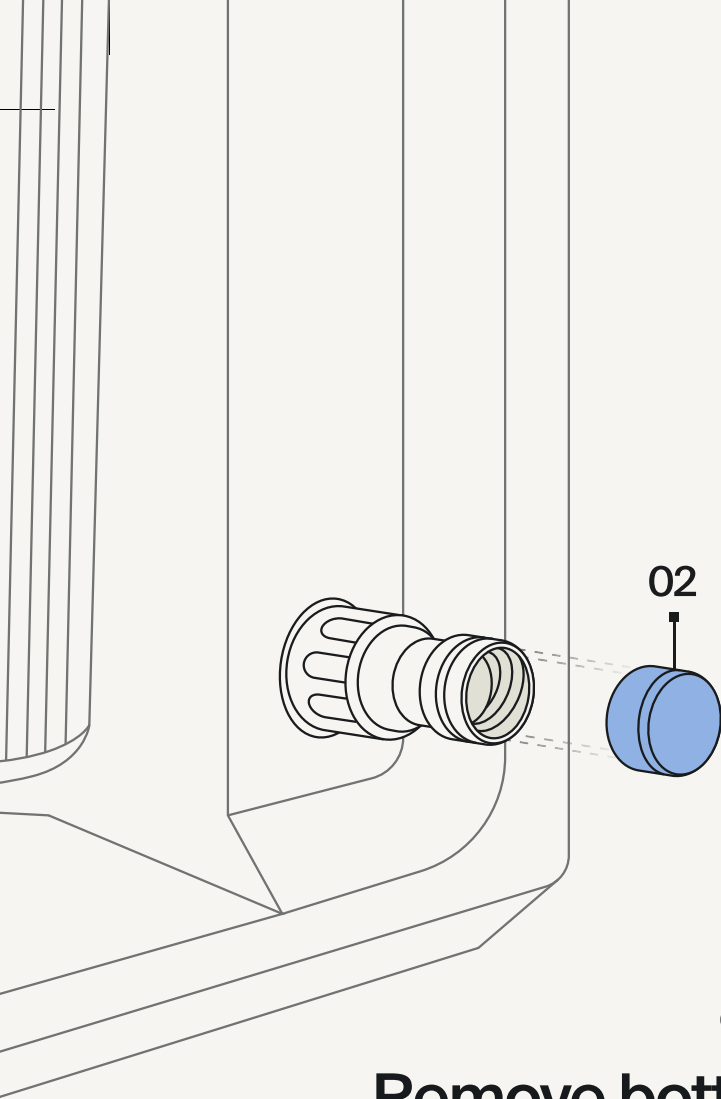
01



1/10

Remove top quick connect cap

On the back of the Chiller, pull firmly to remove the cap on water out port.

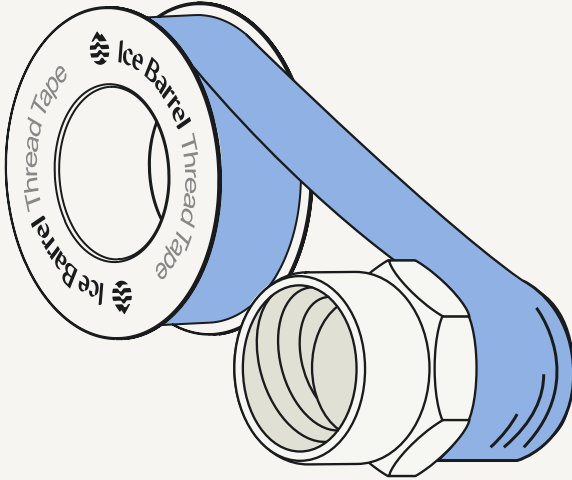


2/10

Remove bottom quick connect cap

On the back of the Chiller, pull firmly to remove the cap on water in port.

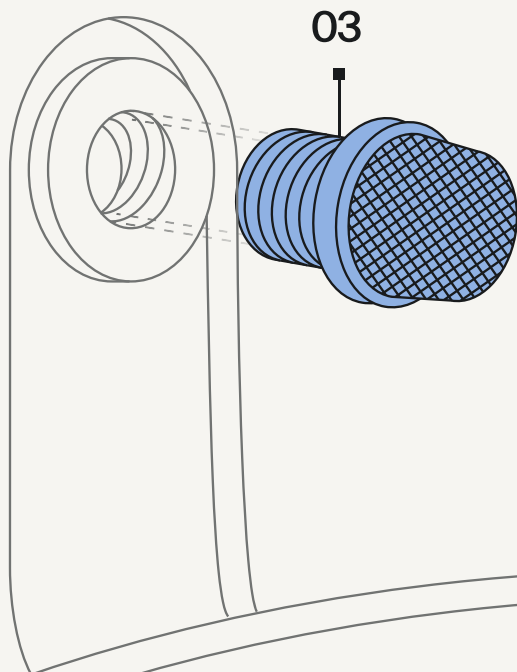
Assembly



3/10

Wrap all threads with provided thread tape

Using the provided thread tape, wrap all threads on parts shown above 2-3 times around.



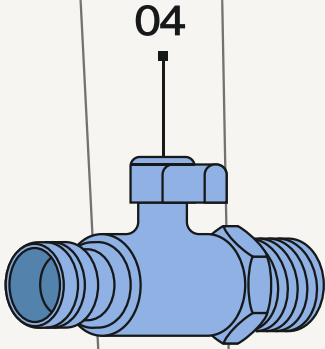
4 / 10

Install advanced Pre-Filter to Ice Barrel

Screw the advanced pre-filter into the inside lower bulkhead.

Attention: Using the Chiller without the Pre-Filter can damage internal components and will void the warranty.

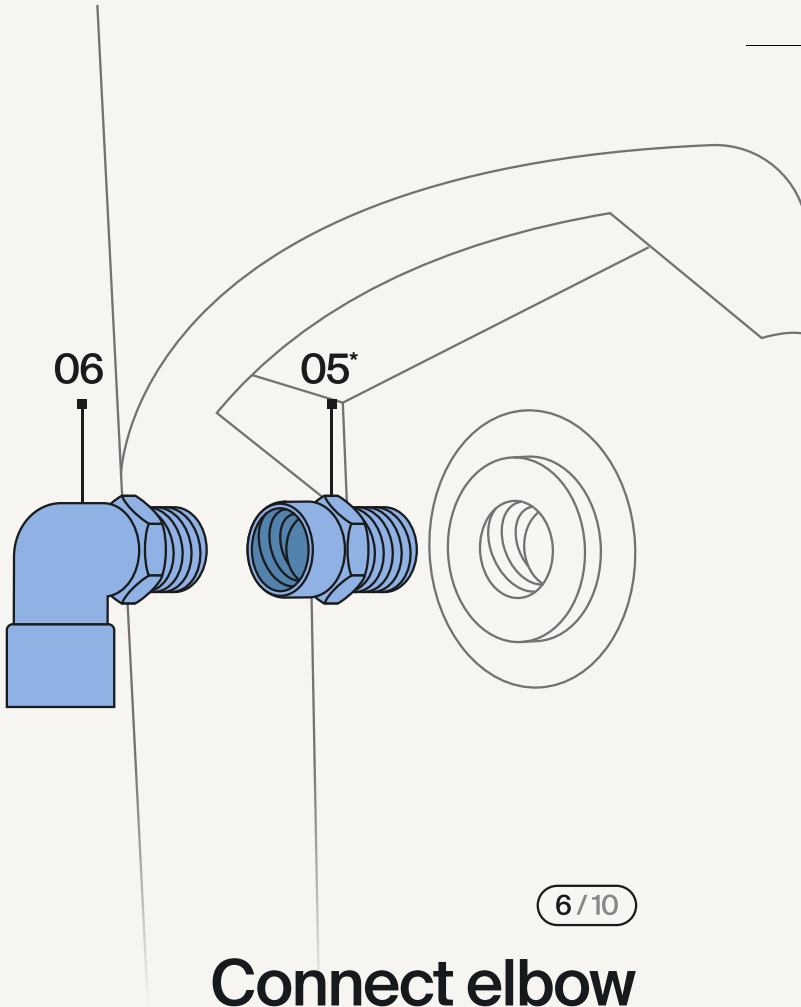
Assembly



5/10

Connect shut off valve to Ice Barrel

Remove drain spout and screw shut off valve into the lower bulkhead.



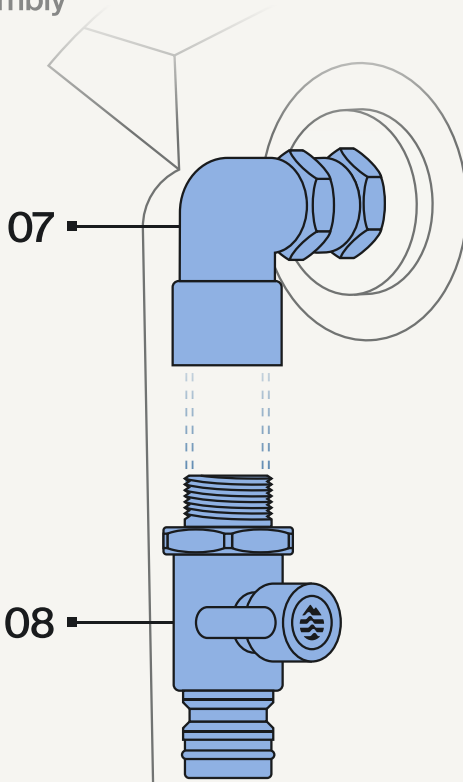
6 / 10

Connect elbow to Ice Barrel

Remove plug and connect elbow
extender and elbow.

*05 Extender only necessary for Ice Barrel 300 and 400.

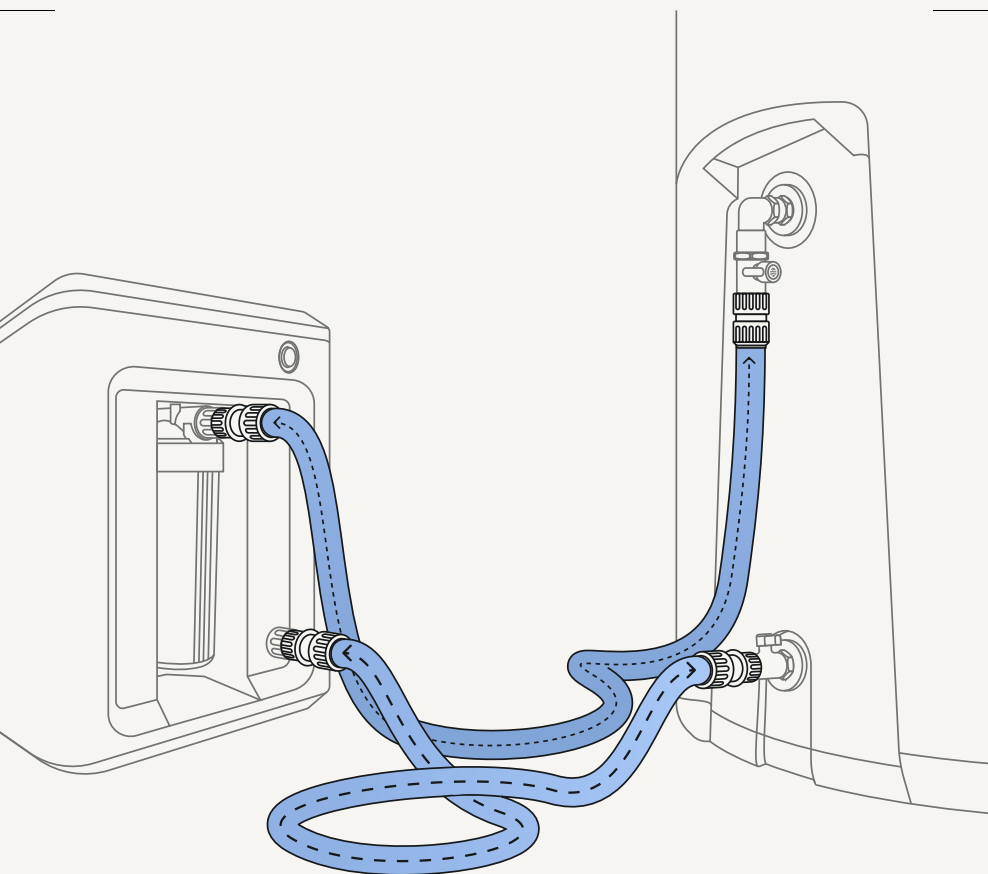
Assembly



7/10

Connect shut off valve to elbow

Connect the shut off valve to the elbow.



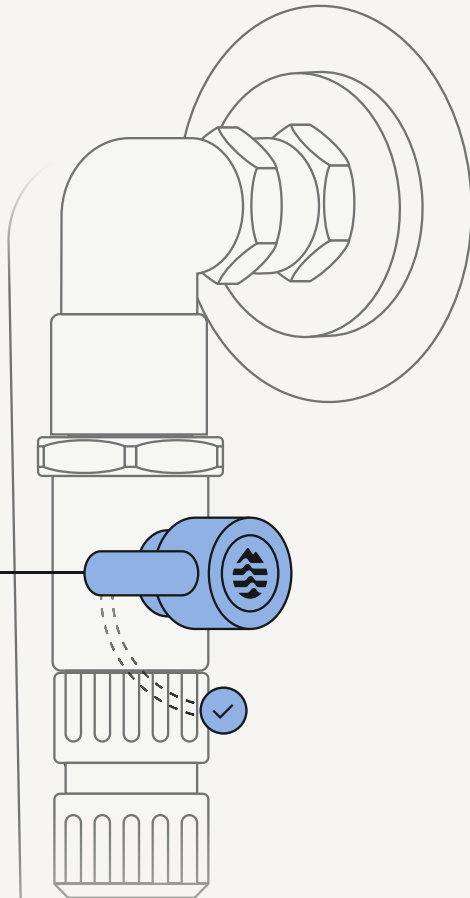
8 / 10

Connect upper and lower hoses

Connect hosing by pulling back quick connection and attaching.

Assembly

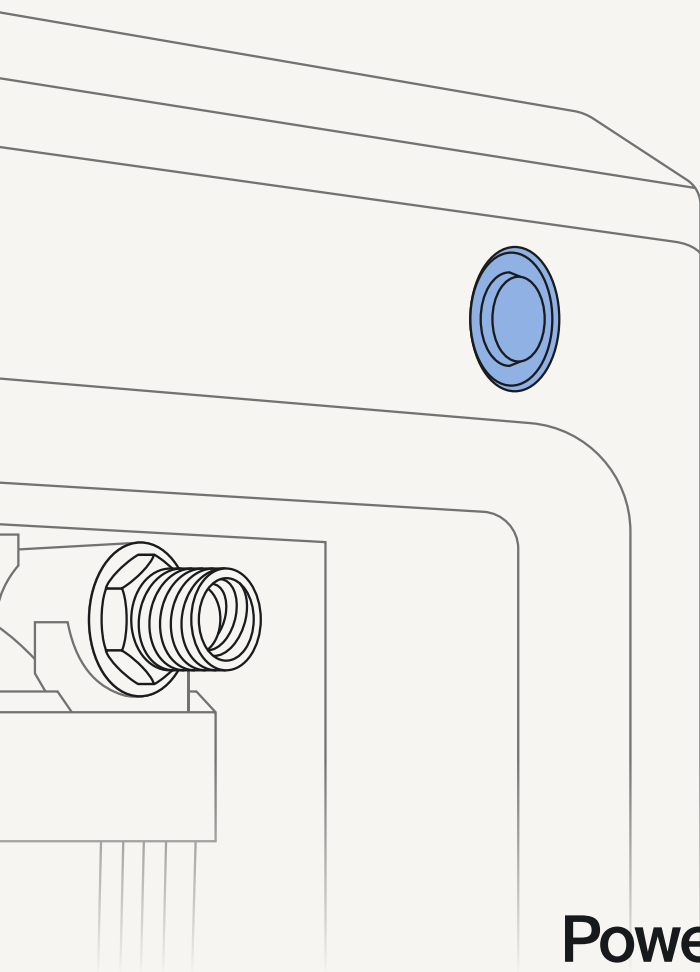
08



9/10

Turn shut off valves to open

Open both top and bottom shut off valves to start water flow.



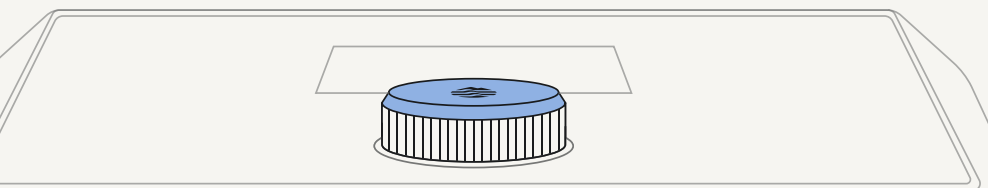
10 / 10


Power on the Chiller

Connect Chiller to power and hold the back
button for 3 seconds to turn on.

Meet your Chiller

The Chiller controls



 Ice Barrel.



A line drawing of a control wheel, showing a top-down view of the wheel's rim and a side view of the wheel's body. The drawing is positioned on the left side of the page, with horizontal lines extending from its right edge to separate the three instructional sections.

1/3

Press for action

“Press” the middle of your Chiller control wheel once to select.

2/3

Scroll to navigate

“Scroll” left or right to navigate through options and settings.

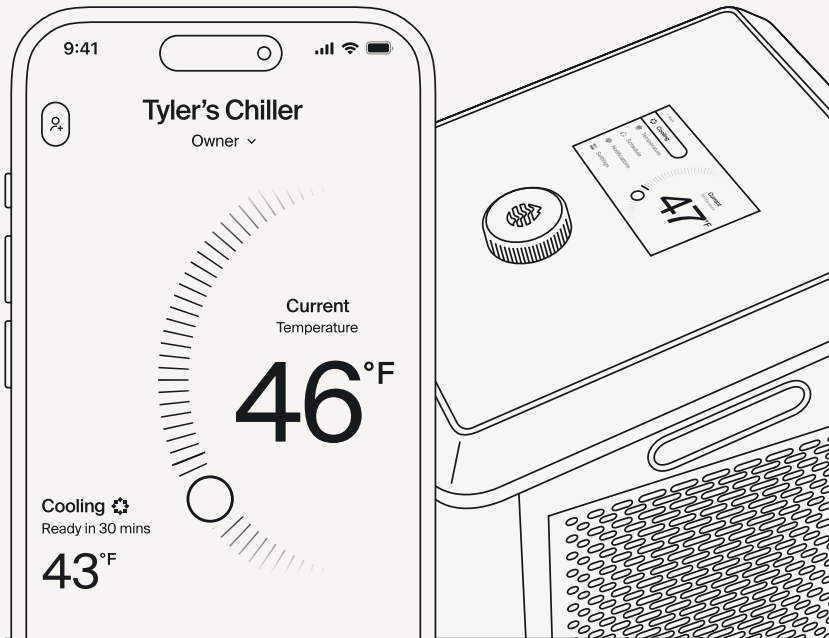
3/3

Hold for menu

“Hold” the middle of your Chiller control to access the menu.

Meet your Chiller

Connect your Chiller to Wi-Fi



1/3

Screen prompts

Using the control wheel follow the on-screen prompts on your Chiller.

2/3

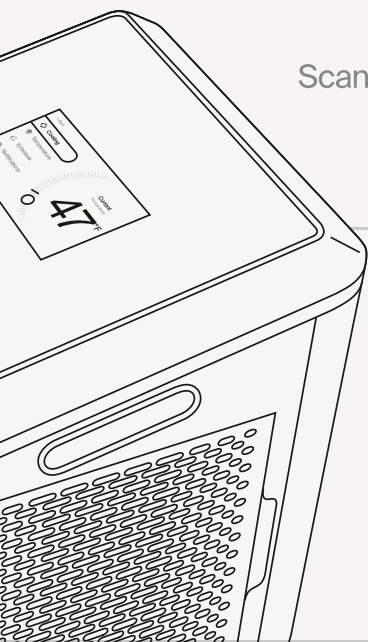
Scan QR code

Scan the on screen QR code with your phone to begin Wi-Fi setup.

3/3

App setup

Follow the onscreen prompts on the Ice Barrel App.



Meet your Chiller

Discover Chiller modes

SmartSense

When the Chiller isn't actively cooling, it enters SmartSense mode using data and sensors to intelligently manage its operation and to be ready for the next use.

Cooling

The Chiller is actively working to lower the temperature to your chosen setting.

Ready

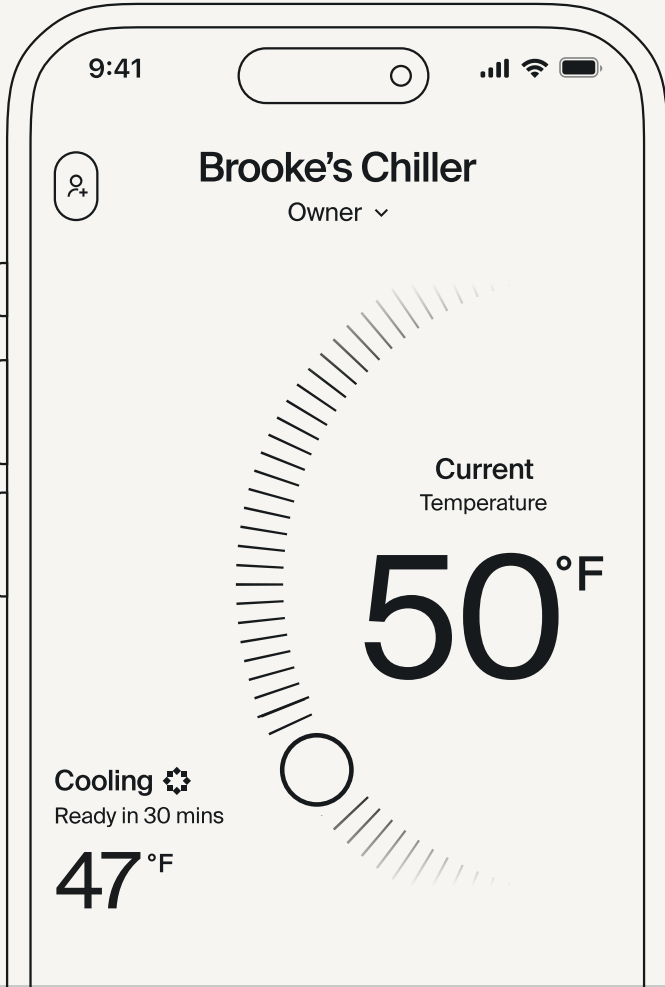
Once the Chiller reaches the set temperature, it maintains it for the duration of the session or holds it for three hours if manually activated.

Maintenance

Allows filter changes and other maintenance without cooling or water flow.

Protect

Automatically shuts down operations and sends alerts in response to potential system threats.



Meet your Chiller

Home interface

01. **Dynamic dial** ■

The dynamic dial visually tracks your journey from the current temperature to the setpoint during cooling mode.

02. **Info center** ■

The info center displays the Chiller's mode—Cooling, Ready or SmartSense, setpoint temperature, and relevant timing information.


03. **Quick start cooling** ■

Rotate the control wheel left or right to adjust the temperature setpoint; press once to start cooling immediately, and press again to revert to SmartSense mode.

04. **Menu** ■

Press and hold the control wheel to access the main menu and additional complex functions.

9:17 am

Cooling 
Ready in 3 hours

40°F

Current
Temperature

58°F



Meet your Chiller

Menu interface

Cooling/SmartSense

Switch between SmartSense and Cooling modes with ease.

Temperature

Adjust and set your Chiller's temperature.

Schedule

Access and modify your scheduled routine; advance scheduling is available in the app.

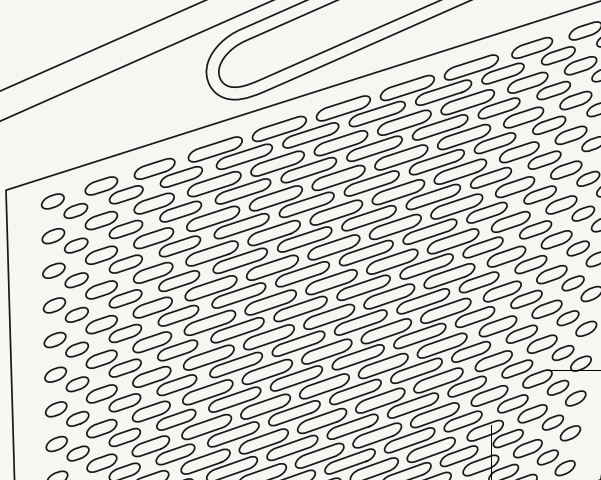
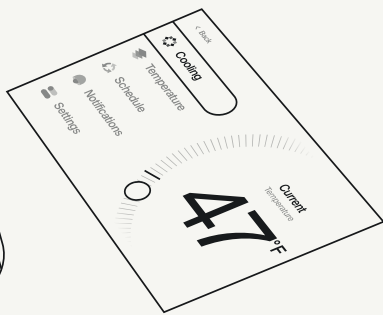
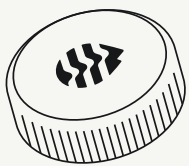
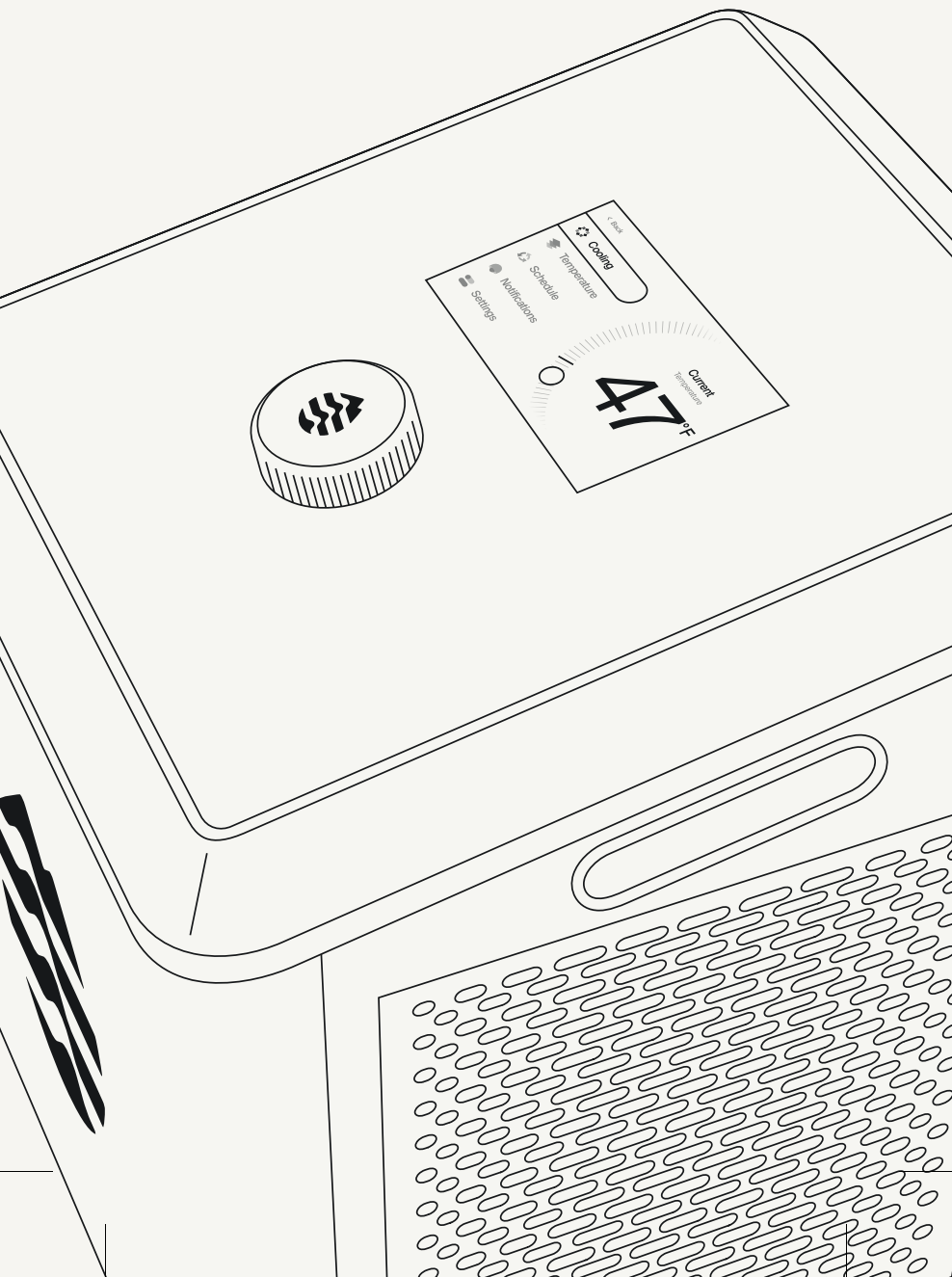
Notifications

Monitor and manage your Chiller's notifications and alerts.

Settings

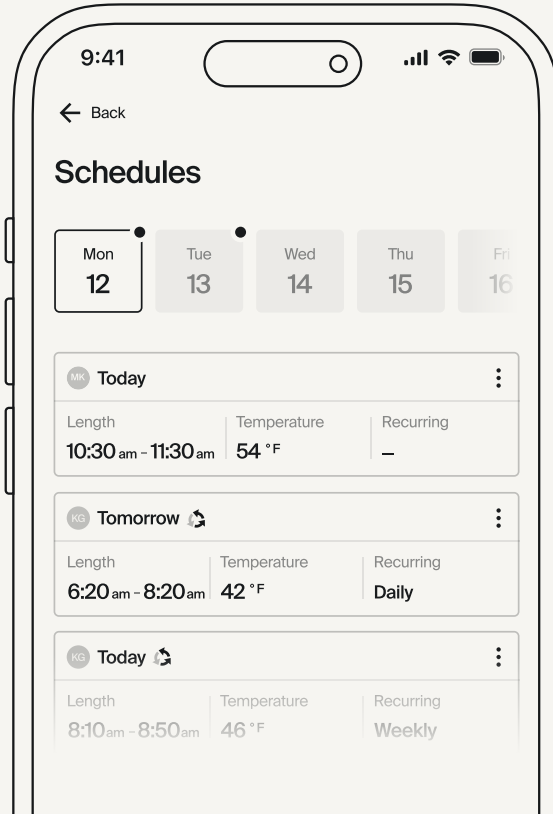
Configure your Chiller's settings including Wi-Fi, maintenance mode, and more for optimal operation.





Meet your Chiller

Scheduling your first session



1/3

Navigate to the Chiller feature

Open the Ice Barrel App and tap on the Chiller feature, which will bring you to the main control dashboard of your Chiller.

2/3

Start scheduling

Tap on the **“Schedule now”** button to enter the scheduling interface. If you haven't set any sessions yet, you'll see a prompt like **“No current schedule”** inviting you to schedule now.

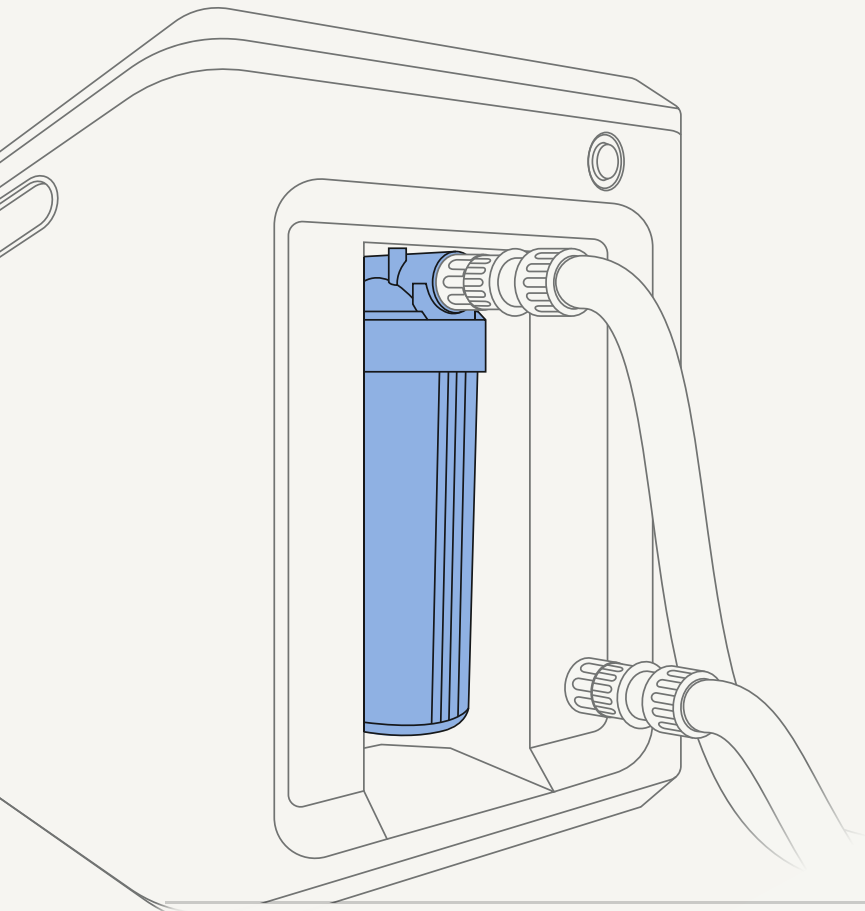
3/3

Enter session details

Use the intuitive scheduling dialogue boxes to input your desired session time and temperature. Finish by saving.

Meet your Chiller

Maintain optimal water quality



1/3

Activate maintenance mode

Access: Before starting any cleaning or replacement process, put your Chiller into Maintenance mode. This can be done either directly from the Chiller's settings menu or via the Ice Barrel App.

2/3

Regular cleaning and replacement of water filters:

Frequency: Clean the water filter and the pre-filter weekly to remove any debris. Replace the water filter every month or more frequently depending on usage.

3/3

Add Stabilize

Application: This silver-copper ion formula helps inhibit microbial growth, enhances water clarity, and maintains a healthy water environment. Add 1/2oz of Stabilize when filling your Ice Barrel for the first time. Then, add 1/4oz weekly for ongoing maintenance.

Additional information

Helpful resources

Need further
assistance?

icebarrel.com/help



General maintenance

Easily care for your Chiller—scan the QR code for maintenance instructions.



Water maintenance

Maintain water quality with ease—scan the QR code for water maintenance instructions.



Powering off for an extended time

Drain the Chiller before shutting down for extended periods to prevent water stagnation. Scan the QR code for instructions.



Winterization

Winterize your Ice Barrel Chiller in extreme temperatures to ensure optimal performance. Scan the QR code for detailed instructions.



Get colder. ————— Feel better.

 Ice Barrel.